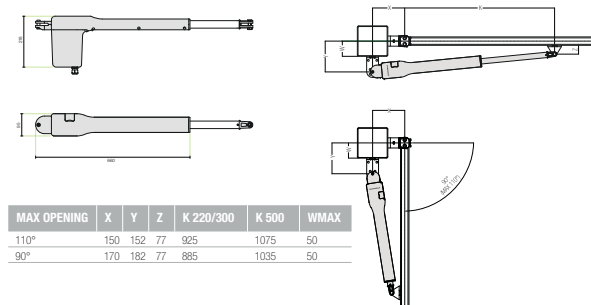
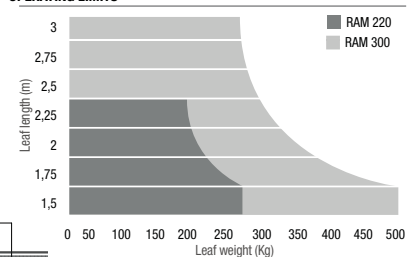


# RAM 220 / 300

Telescopic reversible rod actuators for swing leaves up to 2,2 m and 3 m



### OPERATING LIMITS



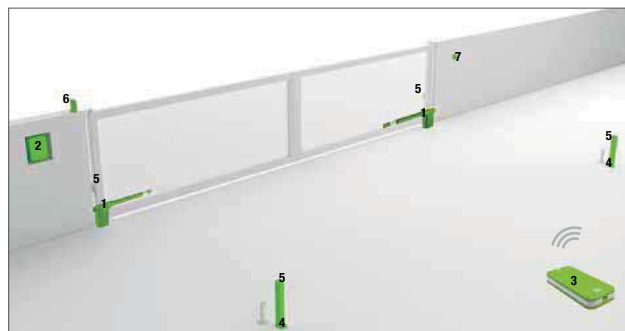
MAX OPENING	X	Y	Z	K 220/300	K 500	WMAX
110°	150	152	77	925	1075	50
90°	170	182	77	885	1035	50

### Accessories included:



RTICOLO	CODE	DESCRIPTION	PACKAGE	WEIGHT	PALETTE
RAM 220 24V	RM220 24V	24V for swing leaves up to 2,2 m	2 pcs.	14 kg	16
RAM 300 24V	RM300 24V	24V for swing leaves up to 3 m	2 pcs.	15,6 kg	16
RAM 300 230V	RM300 230V	230V for swing leaves up to 3 m	2 pcs.	16,6 kg	16

■ 110 VAC Power supply version on demand



### INSTALLATION CHART

- 2 RAM 220 24V** - GRM22000L0800  
Telescopic rod actuators 24V
- 1 QUAD 24V 2M** - GQUADST2L0G00  
Control unit for 2 motors 24V basic
- 3 1 KEEP 2 RC** - GKEEP2STN0800  
2 Channels rolling code Remote control
- 2 MAST 50** - GMAST00S0G000  
Extruded aluminium column h 50 cm
- 2 DART** - GDARTSDN0800  
Photocells
- 1 SWIFT** - GSWIFTSTLYB00  
Flashing signal lights
- 1 INDEX** - GINDEXSTN0800  
Key operated switch
- 1 AC-50** - GBATTERY0G00  
Battery kit

### TECHNICAL CHARACTERISTICS

Electrical information	RAM 220 24V	RAM 300 24 V	RAM 300 230 V
Power supply	24 VDC	24 VDC	230 VAC
Power consumption	70 W	110 W	280 W
Current input	3 A	5 A	1,2 A
Maximum thrust	1500 N	2000 N	1800 N
Nominal thrust	500 N	600 N	700 N
Duty cycle	30%	intensive use	40%
Protection rating (IP)	IP44	IP44	IP44
Insulation class	3 (SELV)	3 (SELV)	1 (earthing)
Working temperature	-20°C / +50°C	-20°C / +50°C	-20°C / +50°C
Speed	18 mm/s	21 mm/s	16 mm/s
Weight	7 Kg	7,8 Kg	8,3 Kg

### RAM 220 / 300

#### ACCESSORIES from page 184



Outdoor antenna  
AC 30 / GANTENNAN0G00

#### CONTROL ACCESSORIES from page 208 a 243

 Control unit QUAD 24V 1M / GQUADST1L0G00 QUAD 230V 1M / GQUADST1H0G00	 Control unit QUAD 24V 2M / GQUADST2L0G00 QUAD 230V 2M / GQUADST2H0G00	 Battery kit AC 50 / GBATTERY0G00	 Horizontal 12V electric lock AC 10 / GINDEXPRM0G00	 Vertical 12V electric lock AC 20 / GINDEXVRM0G00
 Kit 5 Remote control, rolling code 2 ch. KITVICTOR / GKITR2STN6C00	 Remote control, rolling code 2 ch. KEEP 2 RC W / GKEEP2STN0W00 KEEP 2 RC B / GKEEP2STN0B00	 Remote control, rolling code 4 ch. KEEP 4 RC W / GKEEP4STN0W00 KEEP 4 RC B / GKEEP4STN0B00	 Key operated switch INDEX / GINDEXSTN0800	 Digital switch with keypad TACT / GTACTSTN0800

#### SAFETY ACCESSORIES from page 244 a 251

 Flashing signal light SWIFT YELLOW / GSWIFTSTLYB00 SWIFT WHITE / GSWIFTSTLW00	 Photocells DART / GDARTSDN0800	 Photocells slim DART SLIM / GDARTSLIMN0800	 Adjustable photocells DART ADJUSTABLE / GDARTADJN0800	 Signage table AC 40 / GSAFETYN0G00
---	---------------------------------------	---	--	---